



# JUNIOR INVENTOR



E3029



JUNIOR INVENTOR



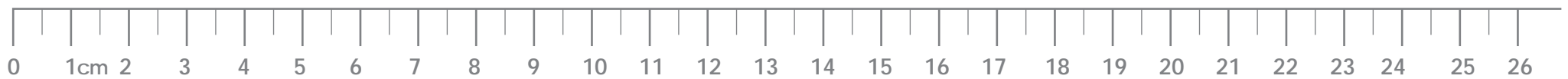
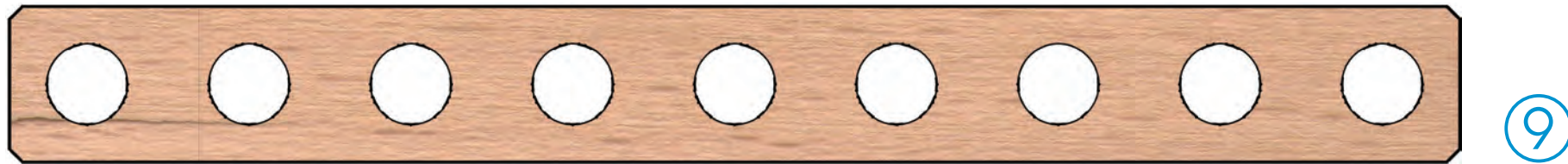
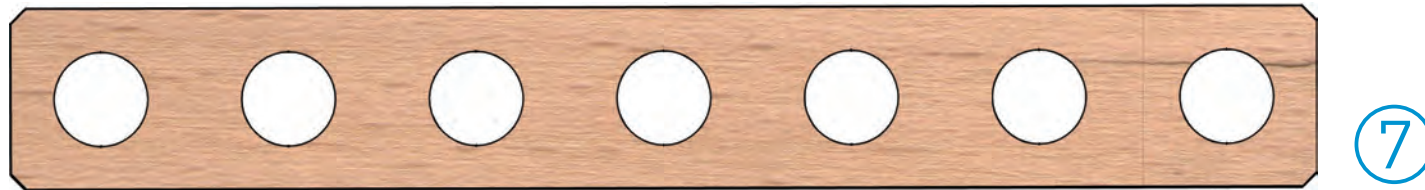
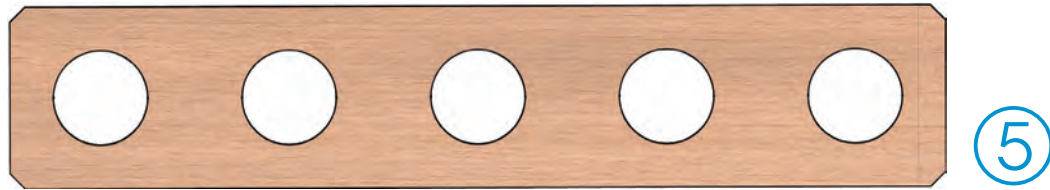
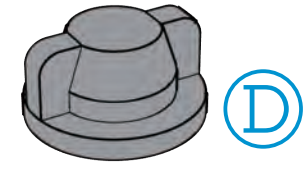
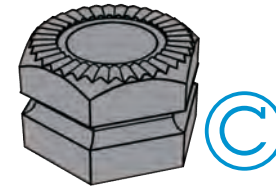
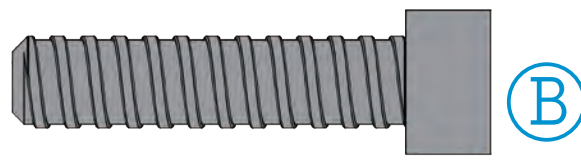
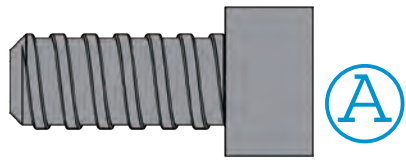
FREE INSTRUCTION APP



<https://www.hape.com/apps>



1:1





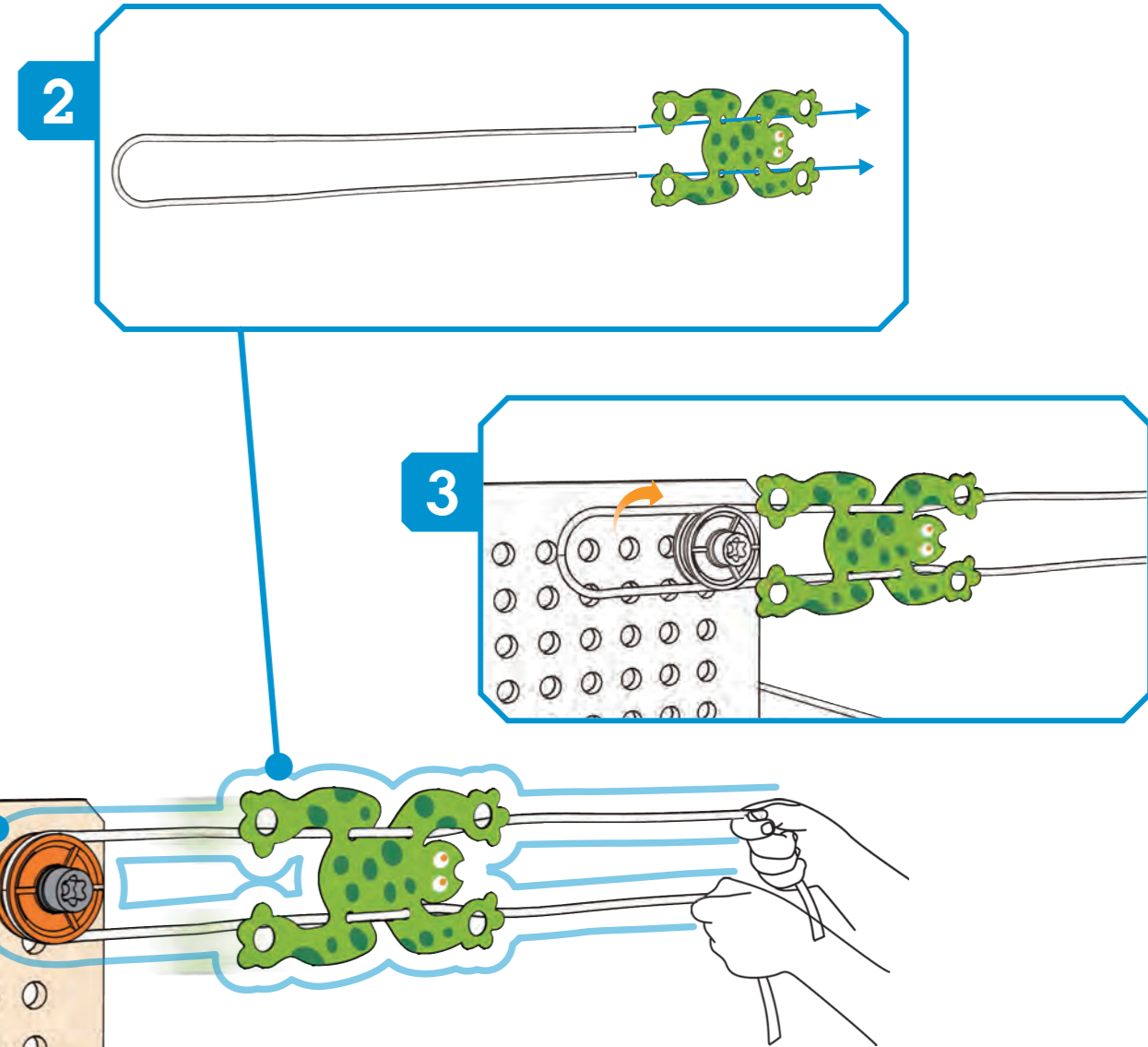
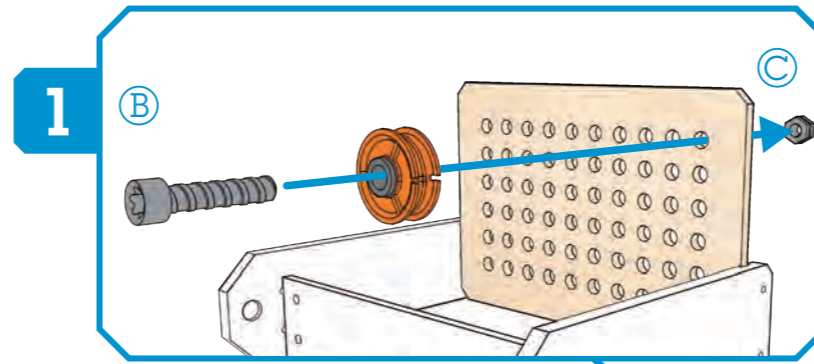
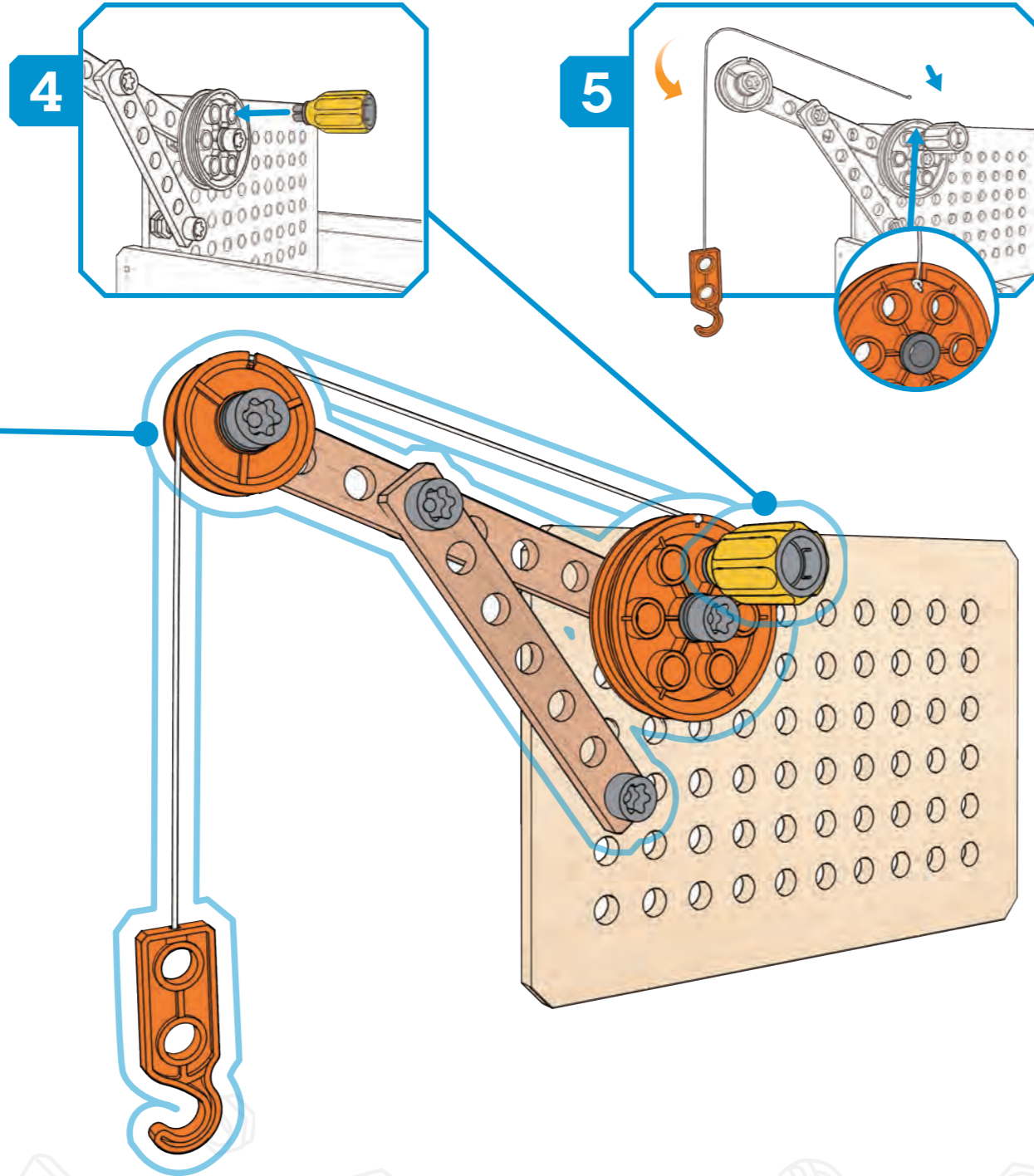
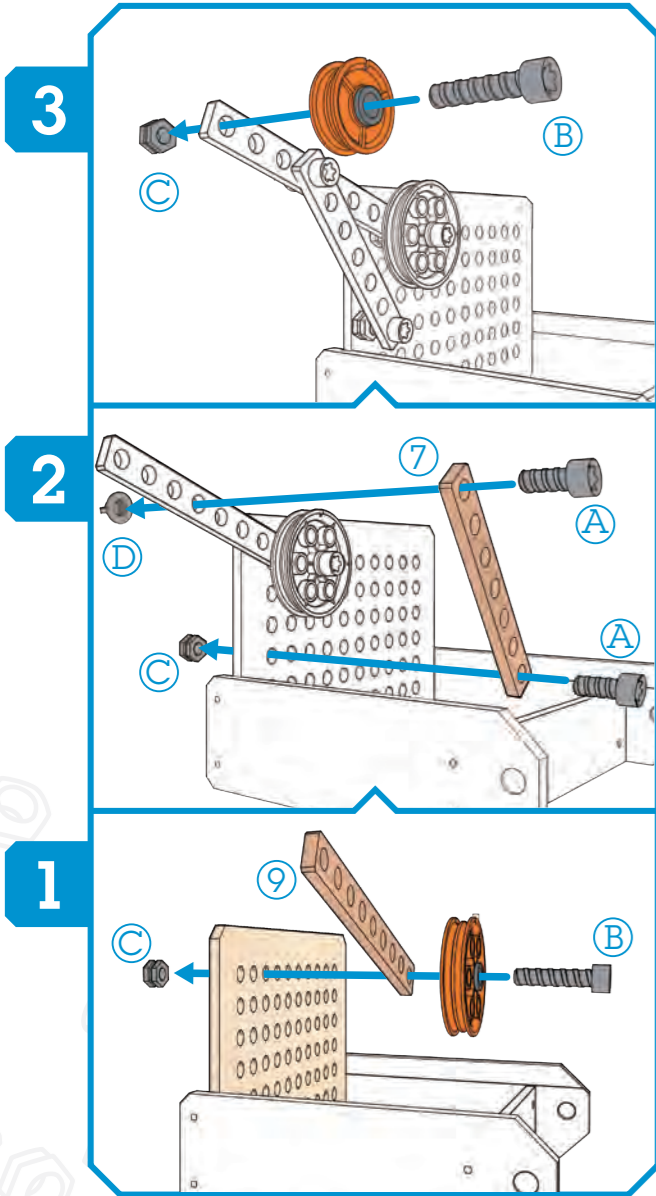
JUNIOR  
INVENTOR



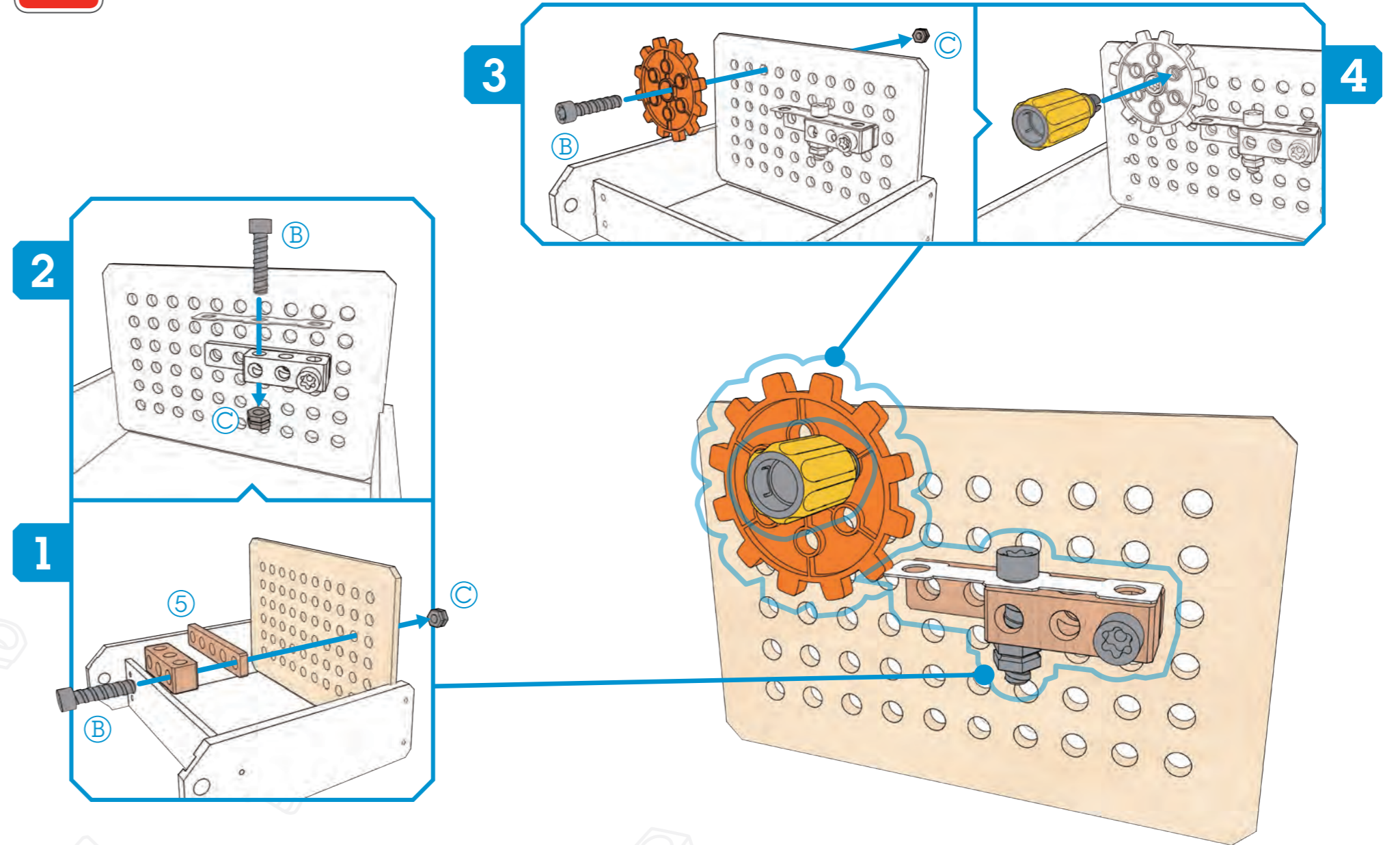
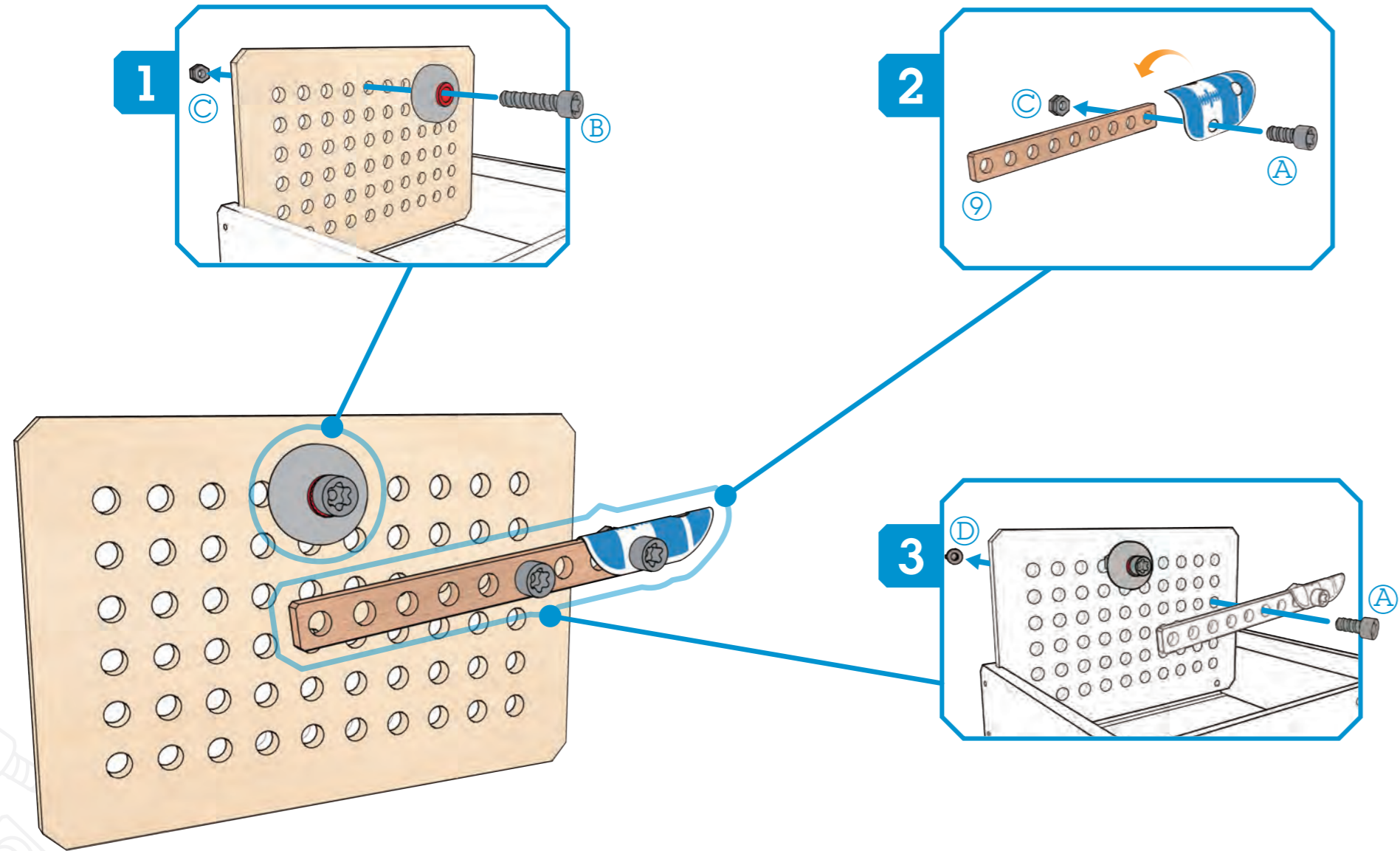
666050

**INVENTOR:** \_\_\_\_\_

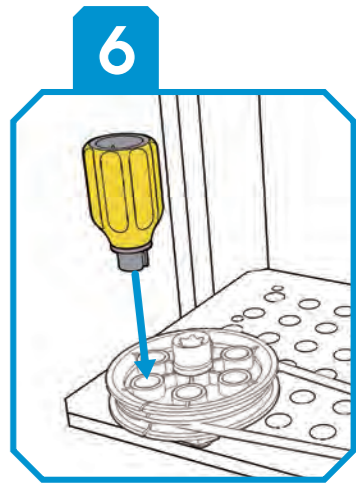
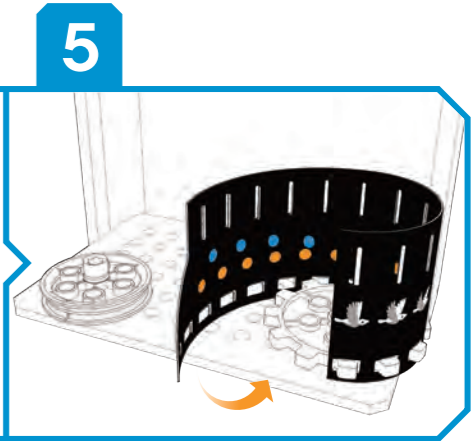
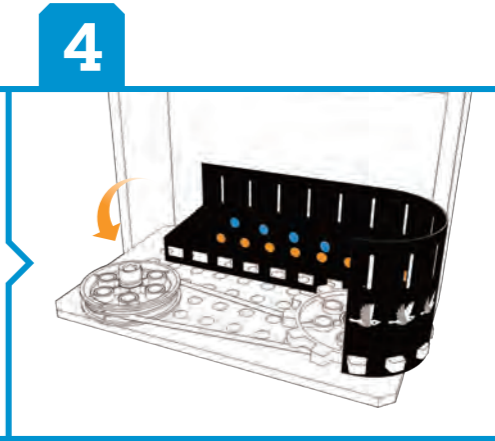
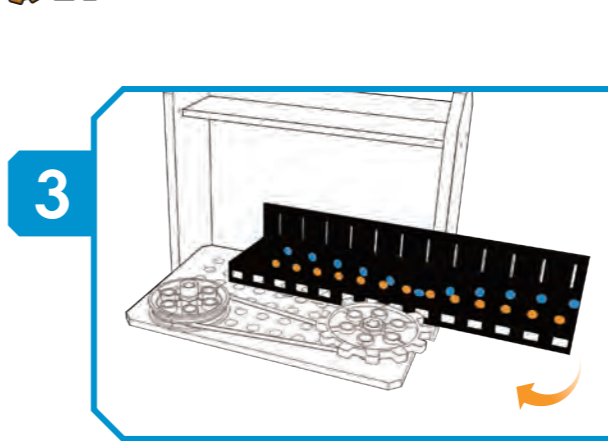
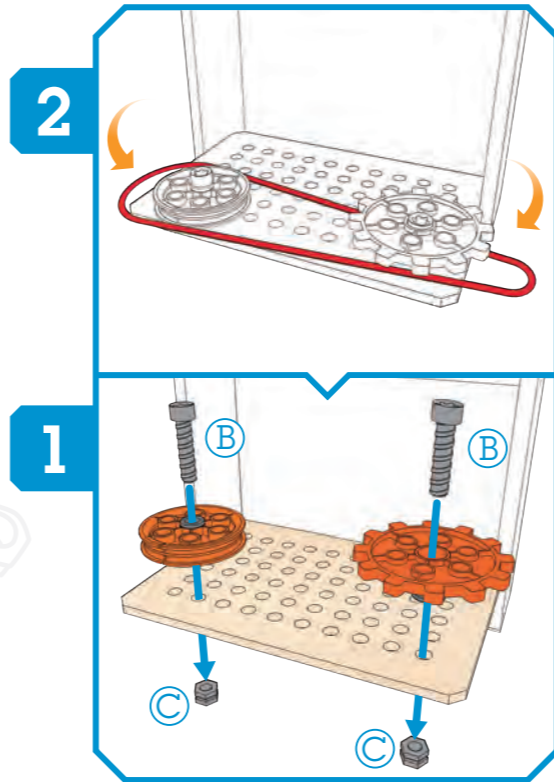
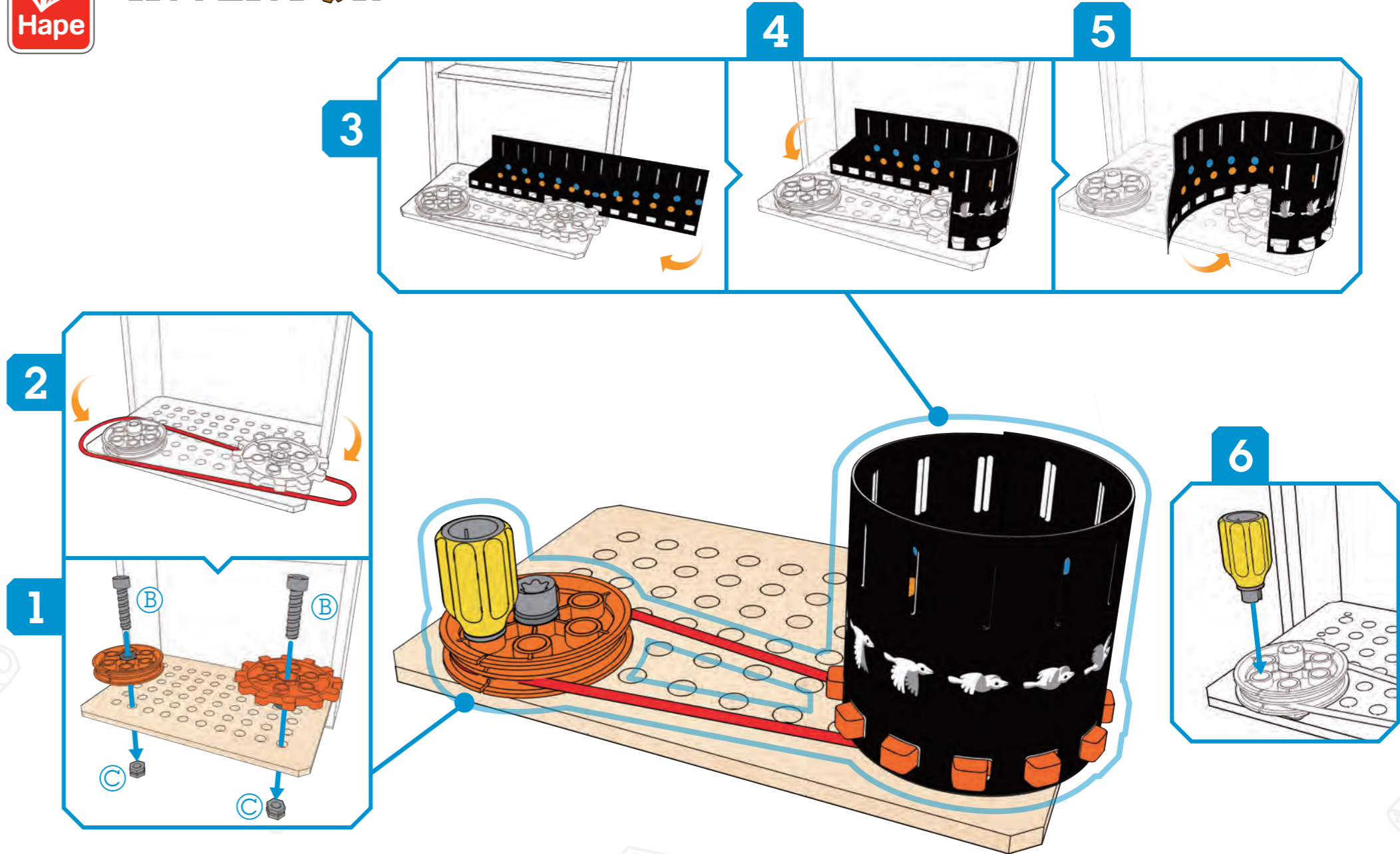
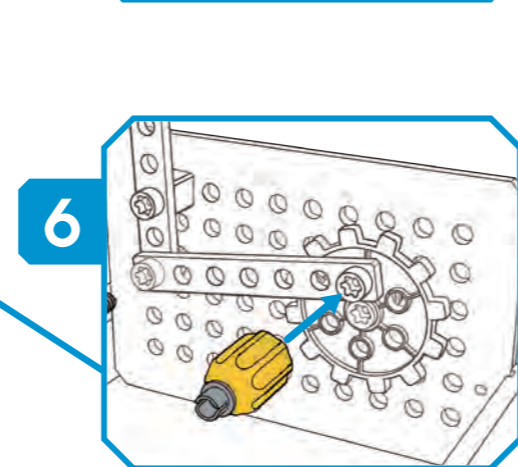
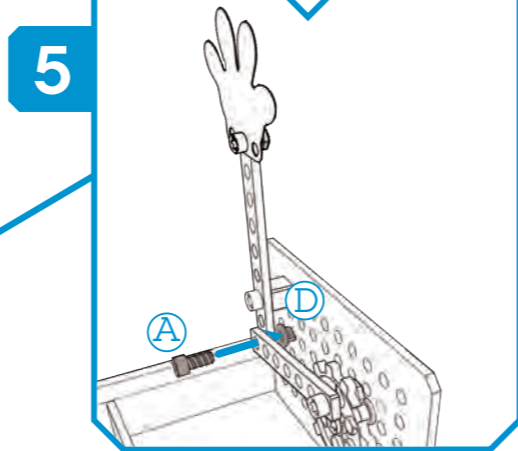
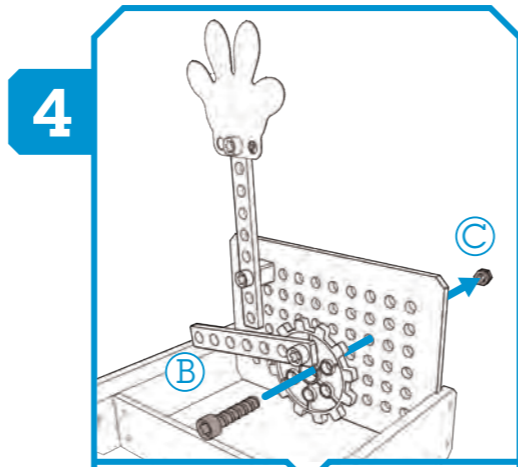
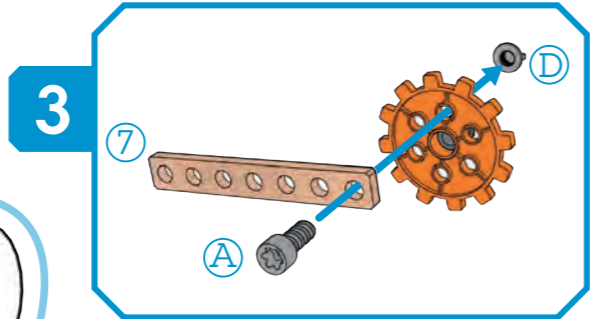
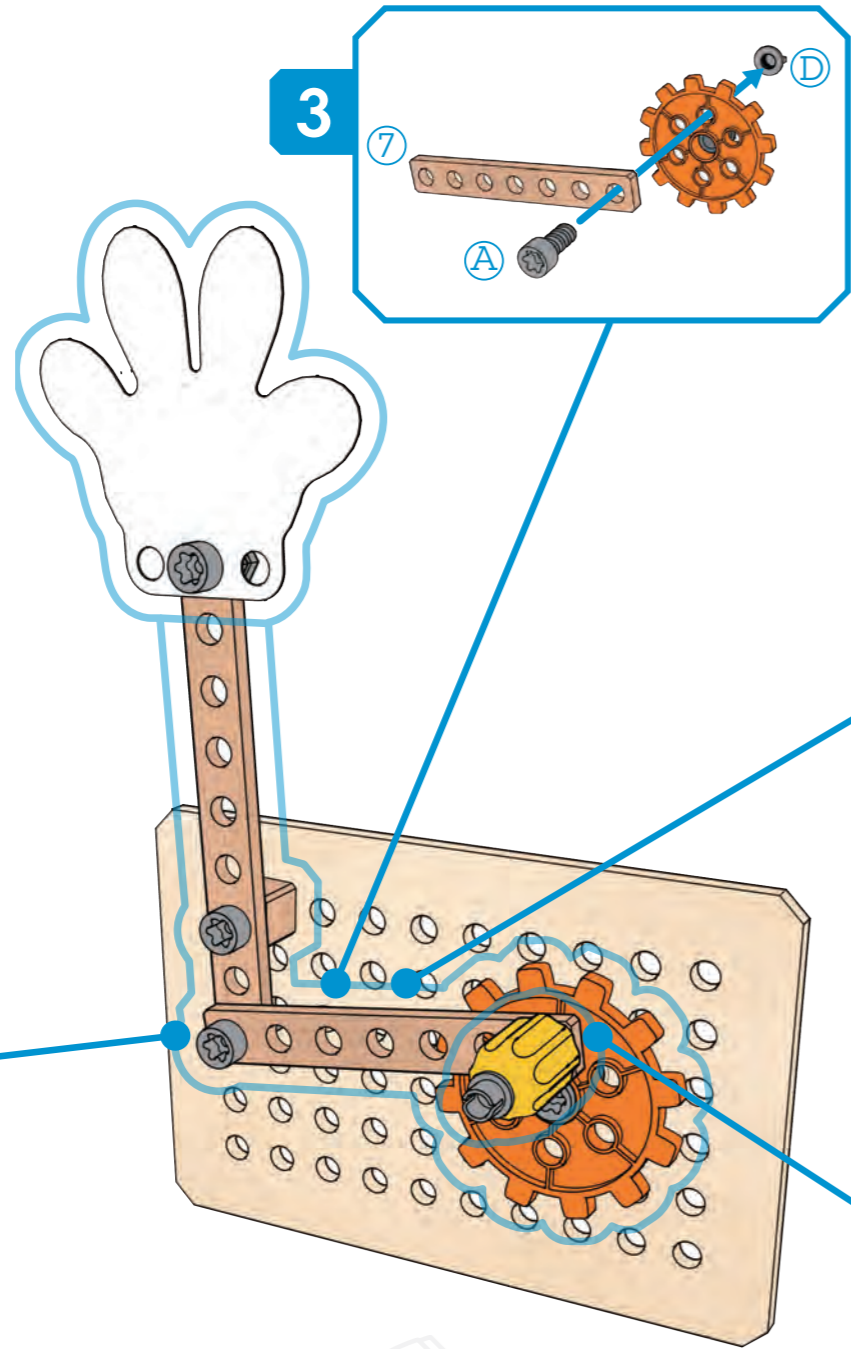
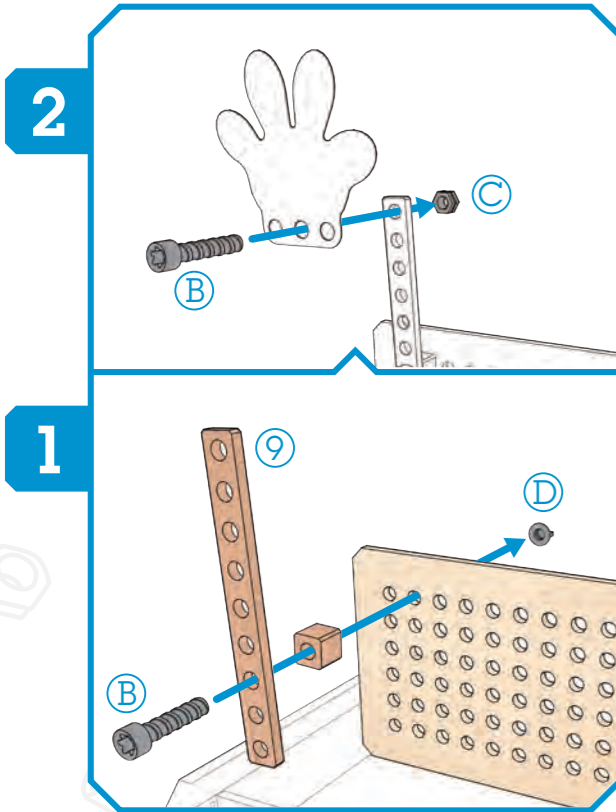














H A P E . C O M

**Hape International AG**  
Alsfelder Straße 41  
35325 Mücke  
Germany

**Hape International Inc.**  
2<sup>nd</sup> Floor  
199 Pembina Road  
Sherwood Park, AB T8H 2W8  
Canada